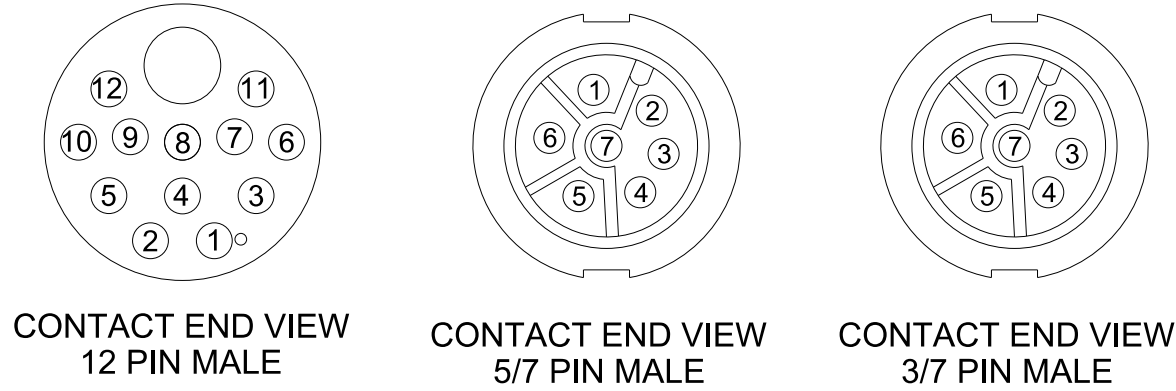
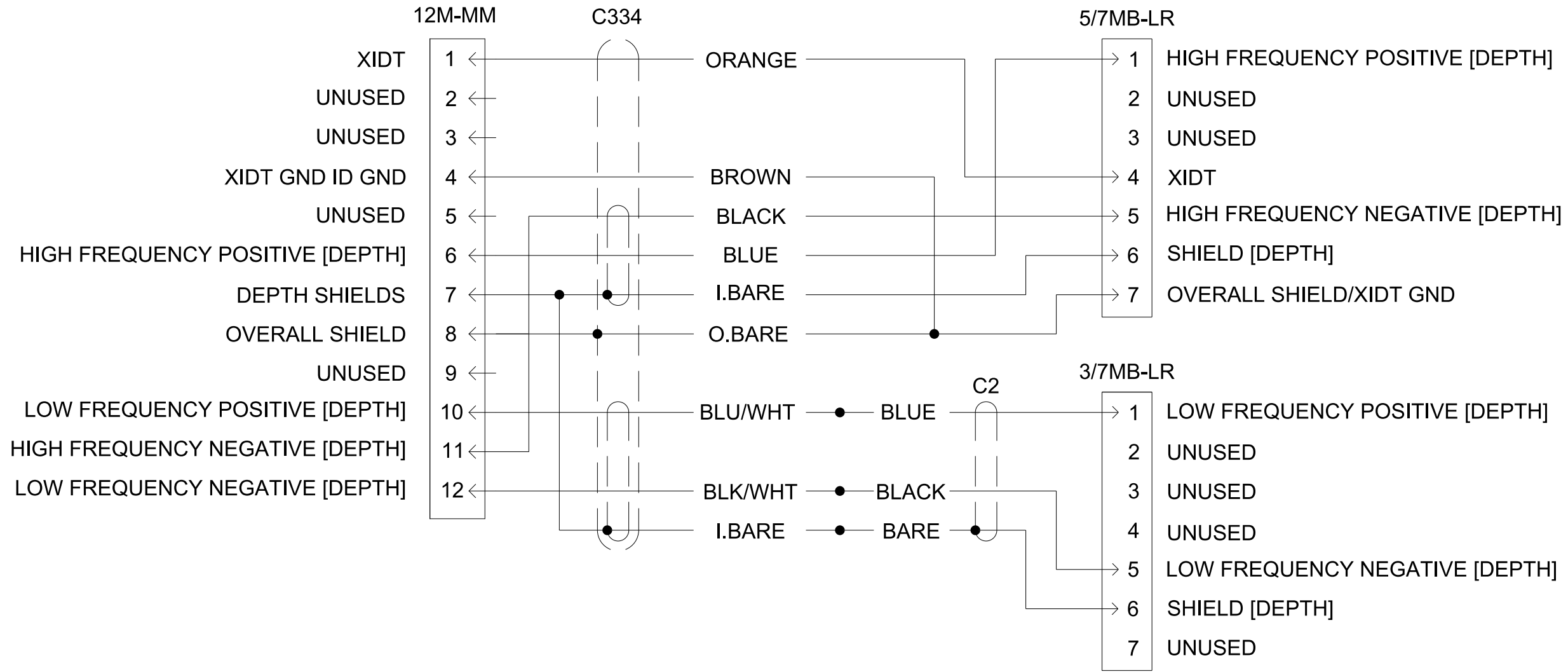


NOTES:

1. VIOLET AND WHITE WIRES ARE CUT OFF ON BOTH ENDS OF C334 CABLE.

THIRD ANGLE PROJECTION		DOCUMENT REVISIONS			
REV	DESCRIPTION	CO NO.	DATE	CHG/CHK	
1	INITIAL RELEASE	---	06/13/23	RLE/WJL	



UNLESS OTHERWISE SPECIFIED	SIGNATURE	DATE
DIMENSIONS ARE IN INCHES TOLERANCES ON 2 PL DECIMALS: ±0.02 3 PL DECIMALS: ±0.005 ANGLES: ±1/2° FRACTIONS: ±1/16 SURFACE FINISH: √63	DRAWN: R.EVANS	01/31/23
	CHECKED: I.ROBB	06/07/23
	APPROVED: W.LETENDRE	06/07/23
MATERIAL		
AS NOTED		

PART NUMBER		P/N REV	
N/A		N/A	
AIRMAR TECHNOLOGY CORPORATION 35 MEADOWBROOK DR MILFORD NH 03055-4613 USA TEL: 603-673-9570 FAX: 603-673-4624			
TITLE WIRING, CBL ASSEMBLY, C334 12M-MM & 5/7MB-LR & C2 3/7MB-LR			
SIZE	SCALE: NONE	DOC NUMBER	DOC REV
B	SHEET 1 OF 1	D-20641	1
CRITICAL DIMENSIONS		(REF)	DO NOT SCALE DRAWING

THIS DOCUMENT AND THE DATA DISCLOSED HEREIN OR HEREWITH IS NOT TO BE REPRODUCED, USED, OR DISCLOSED IN WHOLE OR IN PART TO ANYONE WITHOUT THE PERMISSION OF AIRMAR